

servosis

Testing Machines



Load cells



- Specific software.
- Products under Standard specifications.
- Custom made designs.

Experience

Servosis has a vast experience in the testing world for pieces and materials. More than three decades working support us as a benchmark in the sector.

Our range of products include all fields: aeronautic, automotive, construction, lumber, composites, railway...

Innovation

We are in contact with the main manufacturers and research institutes of the sector, in order to be able to offer updated products, adapted to the most recent regulations.

Custom-made

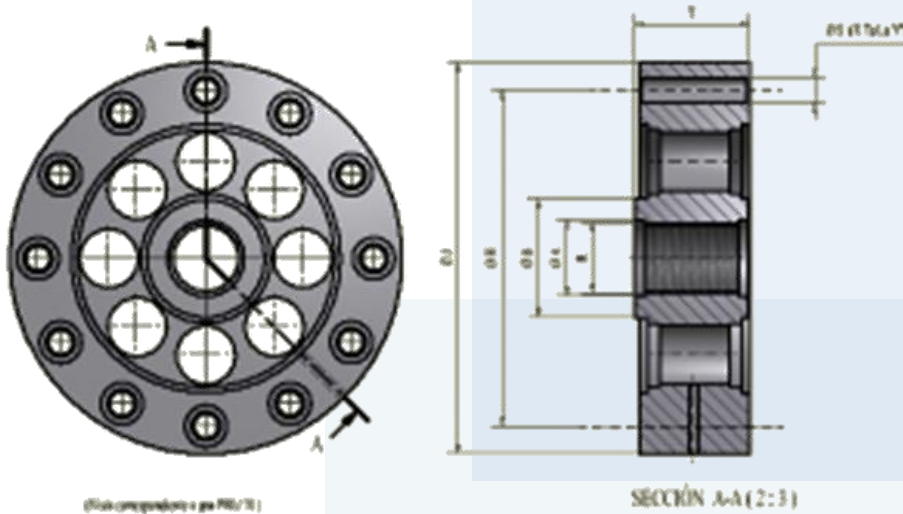
Our competitive advantage is our ability to offer custom solutions, according to the specific needs of each of our customers.



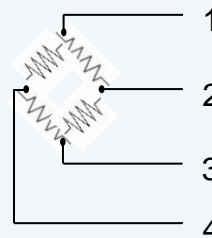
Servosis load cells (force transducers) deliver high stiffness and reliability to the test system. They can be certified to be used as force standards.

All values shown in this document are standard manufactures. You can consult for other sizes and possibilities.

PBI Force transducer



SPECIFICATIONS	
Input resistance	350 +/- 3 Ohm
Output resistance	350 +/- 3 Ohm
Electrical output	2 mV/V +/- 0,5%

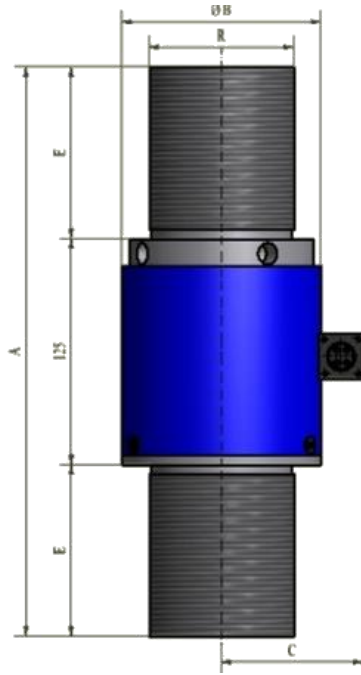


1	IN+
2	EX+
3	IN-
4	EX-

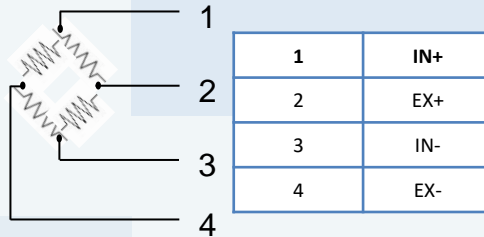
Model	Force capacity (kN)	ØA	ØB	ØH	ØJ	ØS	T	R
PBI/10t	100	32,5	50	142	166	Ø10,5	49	M30X2
PBI/20t	200	32,5	50	142	166	Ø10,5	49	M30X2
PBI/50t	500	50	68	166	198	Ø13	56,5	M48X2
PBI/100t	1000	66	118	228,6	280	Ø17	66	M64X4

Measures in mm.

PCI Force transducer



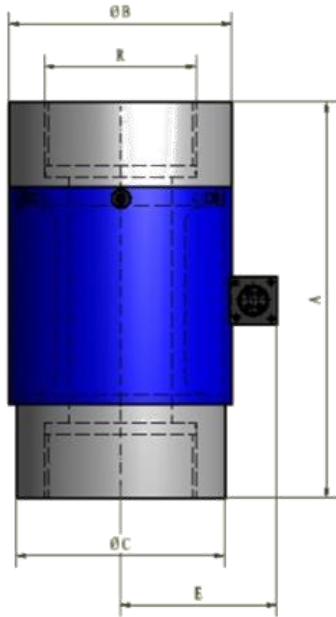
SPECIFICATIONS	
Input resistance	350 +/-3 Ohm
Output resistance	350 +/- 3 Ohm
Electrical output	2 mV/V +/- 0,5%



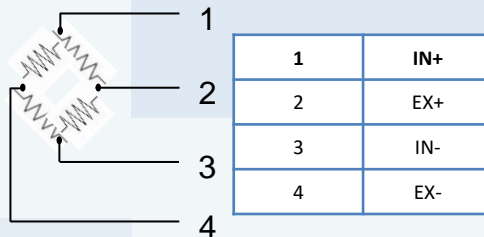
MEASUREMENTS						
MODEL	Force capacity (kN)	A	ØB	C	E	R
PCI/50t	500	275	90	70	75	M80X3 X70
PCI/60t	600	275	90	70	75	M80X3 X70
PCI/80t	800	275	90	70	75	M80X3 X70
PCI/100t	1000	275	90	70	75	M80X3 X70
PCI/120t	1200	315	110	78,5	95	M100X3 X95
PCI/150t	1500	315	110	78,5	95	M100X3 X95
PCI/200t	2000	335	136	91,5	105	M125X4 X105
PCI/260t	2500	335	135	91,5	105	M125X4 X105

Measures in mm.

PCH Force transducer



SPECIFICATIONS	
Input resistance	350 +/- 3 Ohm
Output resistance	350 +/- 3 Ohm
Electrical output	2 mV/V +/- 0,5%



MODEL	Force capacity (kN)	A	ØB	ØC	E	R
PCH/10t	100	150	68	59	57,5	M30x2 X40
PCH/20t	200	160	78	69	62,5	M36x2 x40
PCH/30t	300	175	90	81	68,5	M45x3 x40
PCH/40t	400	180	98	89	72,5	M60x3 x40
PCH/50t	500	210	118	109	82,5	M80x3 x40
PCH/60t	600	210	118	109	82,5	M80x3 x60
PCH/100t	1000	270	155	146	100	M100x3 x60
PCH/120t	1200	270	155	146	100	M100x3 x60
PCH/150t	1500	270	195	186	120	M125x3 x60
PCH/200t	2000	270	220	211	132,5	M140x3 x60

Measures in mm.

SPECIFICATIONS

SERVOVIS LOAD CELLS, MODELS PBI, PCH, PCI	
Nonlinearity	<0,05% of full scale
Hysteresis	<0,02% of full scale
Accuracy class	0,5 or 1 under ISO 7500-1
Rated output (Nominal)	2 mV/V
Bridge resistance	350 Ohm
Insulation resistance	>10 GOhm
Temperature	-20°C to 60°C
Max applied force	150% of full scale



www.servosis.com

comercial@servosis.com

+ 34 91 691 68 61

SERVOSIS - SPAIN