

servosis

Testing Machines



Grips

servosis
Testing Machines



- Specific software.
- Products under standard.
- Custom designs.

www.servosis.com

Experience

Servosis has a vast experience in the testing world for pieces and materials. More than three decades working support us as a benchmark in the sector.

Our range of products include all fields: aeronautic, automotive, construction, lumber, composites, railway ...

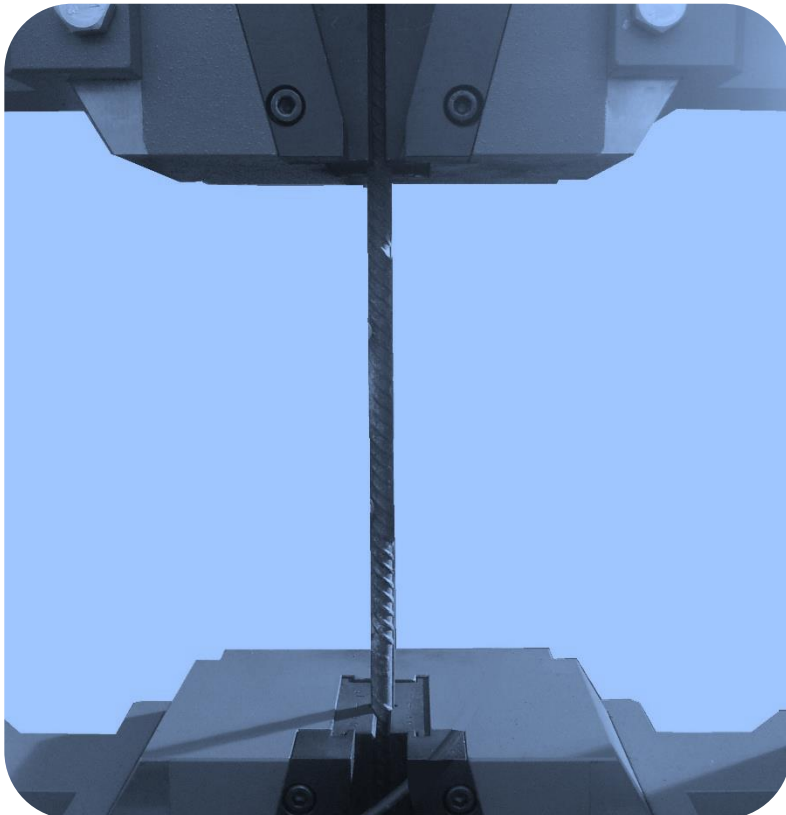
We also develop a wide range of grips, fixtures and other accessories.

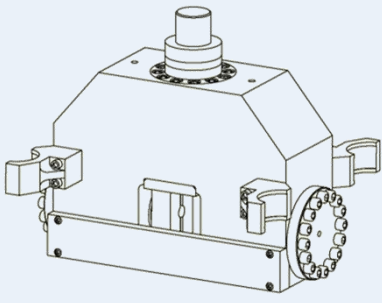
Innovation

We are in contact with the main manufacturers and research institutes of the sector, in order to be able to offer updated products adapted to the most recent regulations.

Custom-made

Our competitive advantage is our ability to offer custom solutions, according to the specific needs of each of our customers.





GRIPS FOR TENSILE TESTS

Hydraulic grips can be connected to the machine's hydraulic power supply, or they can also be delivered as an independent element, with its own hydraulic power supply.

All models have changeable jaw faces to suit specimen varying by diameter or size.

Models 4011 and 4013 have a blocking system as an option, to allow tensile/compression tests through zero load.



4011 ACH



4011 ACN



4012 ACM



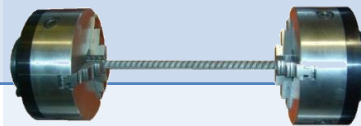
4013 ALH

MODEL	LOAD RANGE	ACTION	CLAMPING
4012 ACM	5-200 kN	Manual. Mechanic with spring.	Wedge.
4011 ACN	5- 100 kN	Pneumatic. Air 8 Bar.	Wedge.
4011 ACH	50- 1000 kN	Hydraulic. Oil 200 Bar	Wedge.
4013 ALH	50-5000 kN	Hydraulic. Oil 200 Bar.	Side



GRIPS FOR TORQUE TESTS

MODEL	LOAD RANGE	ACTION	CLAMPING
4014	10-2000 N/m	Manual.	3-Jaw plate



GRIPS FOR INSULATOR TESTS

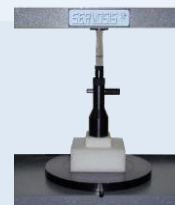


UNE 1607 Tensile strength perpendicular to faces.

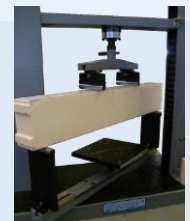
UNE 826 Compression behaviour.



UNE 1608 Tensile strength parallel to faces.



UNE 12430 Behaviour under load point.



UNE 12089 Bending strength.

GRIPS FOR WOOD TESTS



UNE-314-1 Bonding strength.



UNE-56539 Strength against cleft.



UNE 319 Tensile strength perpendicular to faces.

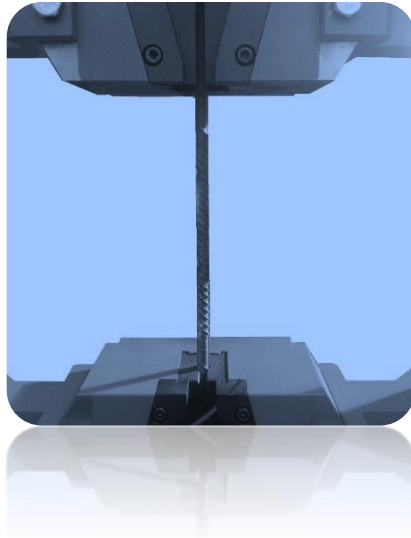


UNE 56538 Tensile strength perpendicular to fibers.

SPECIAL GRIPS. CUSTOM DESIGN



Servosis designs and manufactures all type of grips for any test. Do not hesitate to consult with us.



www.servosis.com

comercial@ servosis.com

+ 34 91 691 68 61

SERVOSIS - SPAIN